

*Maximum*  
protection for  
*your cables*

## Piping System for Telecommunication Cable



# Technical Specification

PT. Rusli Vinilon Sakti is the uPVC & PE pipe and accessories manufacturer, which has closely involved in research and development of PVC and PE pipes with telecommunication companies to achieve the highest attainable quality standard. We proudly present the best products with numerous superior qualities and features: Polyethylene pipe (PE).

As a pioneer in fiber optics cables shielding (duct and sub-duct cables), our pipes are certified from Telkom S-TEL L-039-2008 Ver.2.2. It is also our great honour that Vinilon PE standard pipes for fiber optics shield has been widely used and well accepted in all major telecommunication projects throughout Indonesia. Vinilon provides maximum protection for telecommunication cables to assure years of uninterrupted services.

## SPECIFICATION OF PE SUB-DUCT PIPE FOR FIBER OPTIK CABLE TELKOM S-TEL L-039-2008 Ver. 2.2 COLOUR: BLACK WITH 4 BLUE STRIPES

Type	Diameter (mm)	Wall Thickness (mm)	Length of Pipe/Coil (mtr/roll)
SDT IA	32 x 27	2.5	400
SDT IB	32 x 28	2.0	400
SDT II	40 x 34	3.0	200

## SPECIFICATION OF PE SUB-DUCT PIPE FOR FIBER OPTIK CABLE TELKOM S-TEL L-039-2008 Ver. 2.2 COLOUR: BLACK WITH 4 YELLOW STRIPES

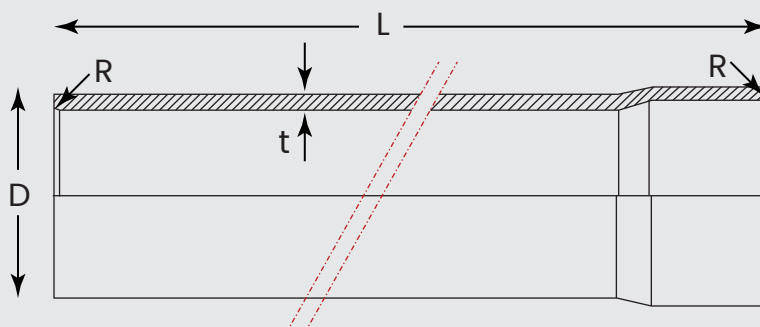
Type	Diameter (mm)	Wall Thickness (mm)	Length of Pipe/Coil (mtr/roll)
DTL I	32 x 26	3.0	400
DTL II	40 x 33	3.5	200
DTL III	50 x 42	4.0	200

## VINILON STANDARD PE PIPE FOR FIBER OPTIC CABLE

Diameter (mm)	Wall Thickness (mm)	Length of Pipe/Coil (mtr)
36 x 30	3.0	200
40 x 32	4.0	200
40 x 35.6	2.2	200
110 x 95.2	7.4	5.8/piece
125 x 110.2	7.4	6-12/piece

## SPECIFICATION OF uPVC PIPES TELKOM STANDARD S-TEL-L-008

TYPE	Outside Diameter (D) (mm)	Wall Thickness (mm)
TYPE I	111	5.5
TYPE III	104	2.0
SPECIAL TYPE	108	4.0



## Accessories Fitting



PUSHON END CAP



PUSHON STRAIGHT COUPLING



PVC BELL MOUTH-SC



PVC BELL MOUTH-SP



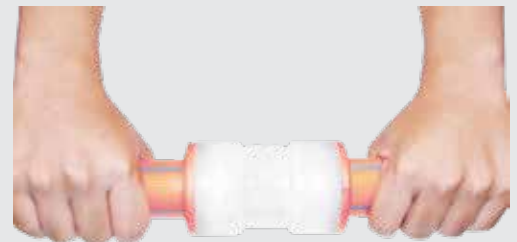
**PUSHON SYSTEM** easy to install, **JUST ONE SECOND.**



1. Cut the pipe with the pipe cutter.

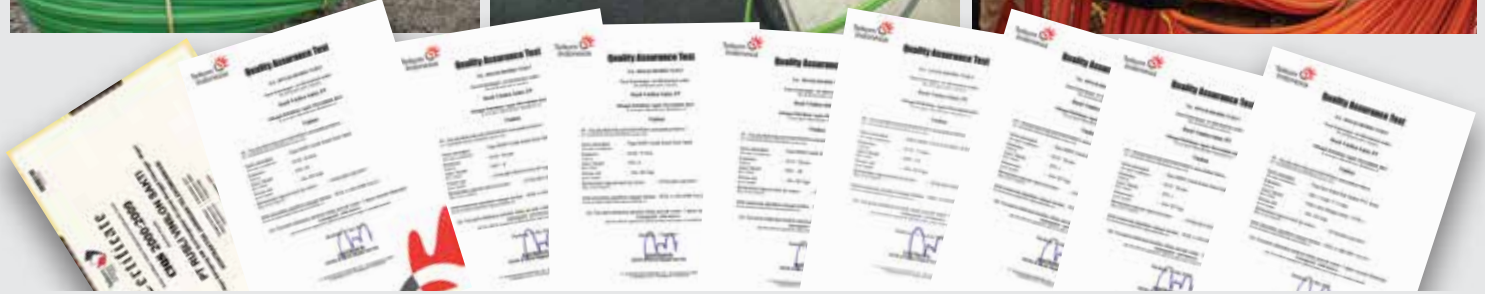


2. Push the pipe end into the fitting until it touch the inside of the fitting edge.



3. Perfectly joint in one second.

# Project References



Client	Project Reference	Client	Project Reference
BALI TOWER	Jakarta and Bali BTS, Project	TELKOM	RMJ Telkom Regional VII
BIZNET PROJECT			RMJ Telkom Regional I
FIBER STAR			RMJ Telkom Regional III & IV
FIBER MEDIA INDONESIA	JABODETABEK Project		RMJ Telkom Regional V
H3I			RMJ Telkom Regional VI
IM2 PROYEK		TRANSYBRID	
INDOSAT	Catapult Priority 1 Tanjung Pakis to Jatiluhur	XL AXIATA	
	Catapult Priority 1 JK Area	INTI BANGUN SEJAHTERA (IBS)	
	Catapult Priority 1 Sukatani JK Area	PETROCHINA	Supply and Installation of Fiber Optic
LINTASARTA PROJECT		PT. DOEL SUMBANG BALI	Bali Project
MNC PROJECT		PT. COMNETS PLUS (ICON+)	Icon + Project
MORATEL PROJECT	Project Inncity Jakarta segment NOC Ancol	PT. IFORTE SOLUSI INFOTEK (IFORTE)	Bali Project
	OSP Fots Q1-2013 Telkomsel.	JASA MARGA	TMJ Ruas Boyolali-Kartosura Project
	Telkomsel Fiber Optik Inter City (OSP Portion)		Jasamarga Bali Tol Project
	Project Inncity Jakarta segment NOC Ancol		Pelindo-TJ. Priok Project
	PSN Cikarang (Main Link and Back Up)		TLKJ Tahap II Project
	HDPE Untuk Dumai - Medan Inland		Cirebon/Palikanci Project
	Project Sanur XL - NOC Padang Galak Protection		Semarang Project
	Swap Core MTI - XL Sengigi		JMKT Project
	SUBHUB Inncity JABODETABEK (Ring 1)		TMJ Add. 1 Boyolali Project
	Project FTTH 130K All Area		Pandaan-Malang Project
	Project FTTx 4 Kota (Surabaya)		Gempas Grati Project
	Project FTTx 4 Kota (Medan)		Kejapanan-Porong Project
	Project FTTH 130K Depok and Bekasi Area		Jabodetabek Project
	Project Sape - Ende HDPE Inland		Suramadu Project
	Project Lastmile Batutua Tembaga Raya Wetar		Perbaikan Ring 2 Jagorawi (LRT) Project
MY REPUBLIK			SNJ Project
KEMENTERIAN KOMUNIKASI DAN INFORMATIKA	Project Palapa Ring Timur		Cluster 3 Tangerang Project
	Project Palapa Ring Tengah		CCTV TMJ Project
PT. MULTITECH INFOMEDIA			Open Jagorawi Project
RUNWAY BANDARA SOEKARNO-HATTA			Palindra Project
SINARMAS LAND			

## Head Office:

Gedung Vinilon Building 9th floor, Jl. Raden Saleh Kav.13-17, Jakarta Pusat 10430, Indonesia  
 Phone: +62 21 3903988-89 | Fax: +62 21 3101237, +62 21 295 78205 | Customer Care: +62 8111 838 181 | [www.vinilon.com](http://www.vinilon.com)

## Factory:

**Bogor:** Jl. Raya Narogong KM.15.5, Pangkalan VI, Desa Limus Nunggal, Cileungsi, Kab. Bogor, Jawa Barat, Indonesia  
**Mojokerto:** Jl. Raya Japanan Lamongan No. 65, Kec. Kemlagi, Kab. Mojokerto, Jawa Timur, Indonesia